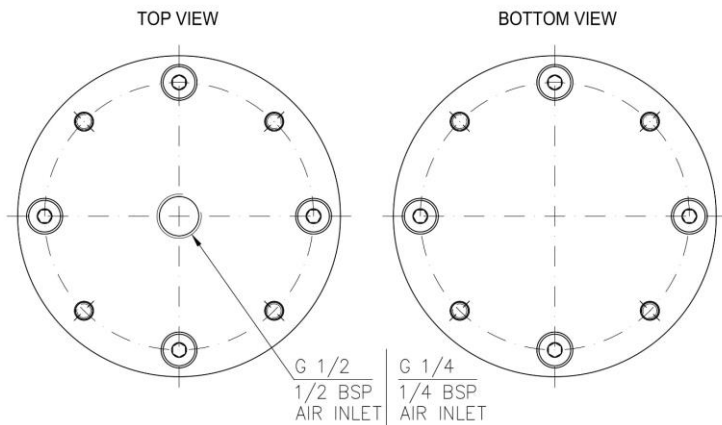
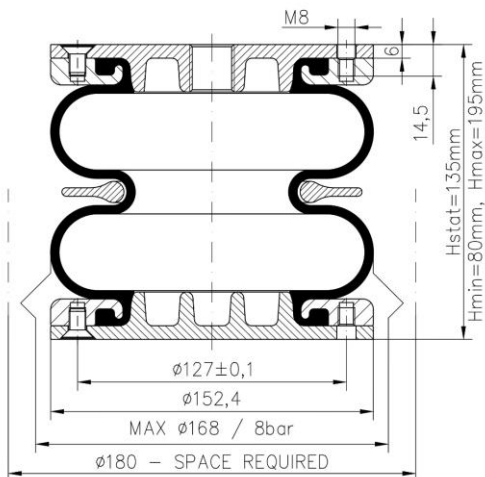


BELLOW TYPE

6" x 2

PRODUCT LINE
Dunlop design line

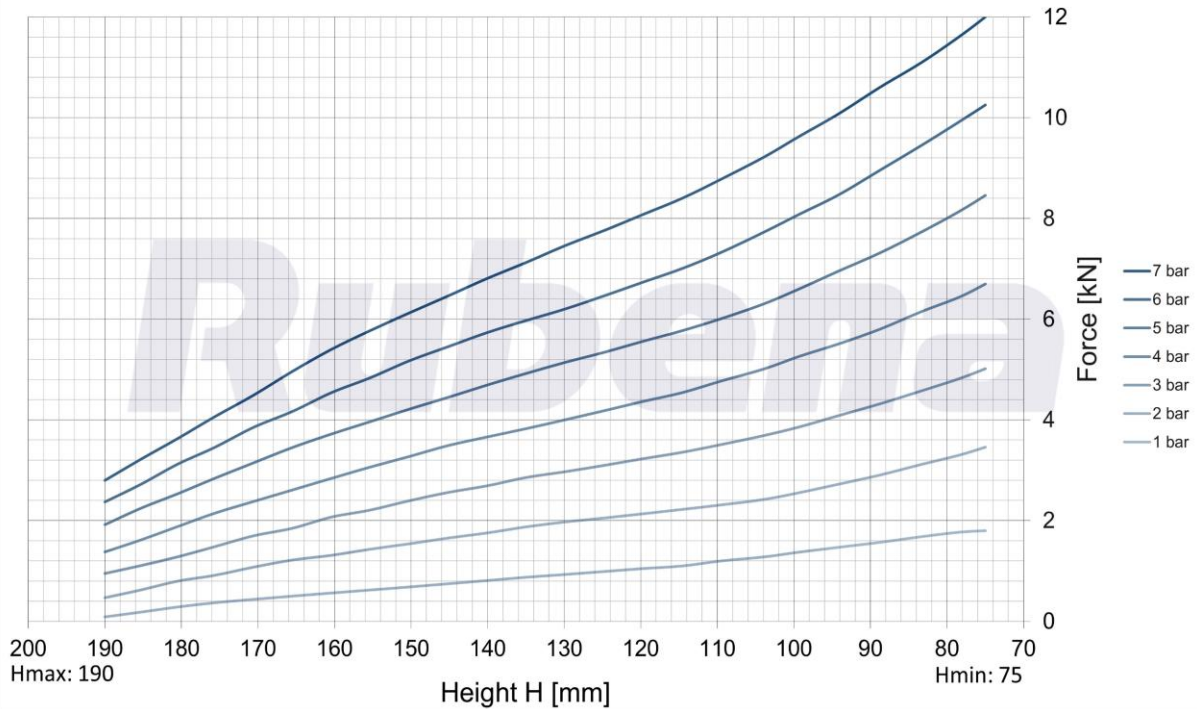
COVER TYPE
Aluminium



| HEIGHT | | | STROKE | DIAMETERS | |
|--------------|---------------|--------------|------------|--------------------|-----------------------------|
| Hmax [mm] | Hstat [mm] | Hmin [mm] | L [mm] | ϕ Max [mm] | ϕ For assembly [mm] |
| 195 | 135 | 80 | 115 | 168 | 180 |

The data presented on this document are liable to change and do not constitute a commitment from Rubena, s.r.o.

RUBENA - BELLOWS 6"x2



| Rubber Type | Features | Application temperatures | |
|---------------------|--|--------------------------|----------------|
| | | Static [°C] | Dynamic [°C] |
| SBR | Standard use | -50° to 70° | -40° to 60° |
| CIIR | For higher temperature, steam and acids* resistance | -30° to 90° | -20° to 80° |
| ECO/GECO | Extreme heat endurance, best acids, oil and fuel resistance | -30° to 115° | -20° to 105° |
| CR | For higher temperature applications, acids and oil* resistance | -35° to 90° | -25° to 80° |
| CR (AF - Anti Fire) | For higher temperature applications, acids and oil* resistance; flame retardant, compatible with EN 45545 | -50° to 90° | -40° to 80° |

*depends on the type of acid / oil and their concentration. Always consult Rubena for specific use and application of the rubber type.

- 1) Airsprings must not be pressurised unless they are restricted by an outside frame or by a suitable load.
- 2) Strokes must be limited by the direct use of bump stops or external stops. When stacking airsprings, special cares must be taken to ensure the airsprings are guided and fixed
- 3) An Airspring is a single acting air actuator and must not be used below atmospheric pressure.
- 4) Please check the overpressure in case of quick compression.

The data presented on this document are liable to change and do not constitute a commitment from Rubena, s.r.o.